

AFTERCARE INSTRUCTIONS

Your fitting has a high quality finish and should be treated with care to preserve the visible surfaces.

All surface finishes will wear if not cleaned correctly, the only safe way to clean your mixer is to wipe with a soft damp cloth. Stains can be removed using washing up liquid. All bath cleaning powders and liquids will damage the surface of your fitting, even the non-scratch cleaners. **NOTE: Never use abrasive detergents or disinfectants or those containing alcohol, hydrochloric acid or phosphoric acid.**

Bristan recommend E-Cloth for cleaning all of our bathroom & kitchen products. Using just water, E-cloth gives a smear free, deep clean by breaking up and holding dirt, which normal cloths leave behind. Order through your Bristan stockist. (ORDER CODE: ECLOTH)



GUARANTEE

All products are manufactured to the highest standards and a 5 year guarantee covers any defect in manufacture.

NOTE: The 5-year guarantee on the cartridge is invalidated if damaged by any waterborne debris.

All products must have access for servicing or replacement during the life of the product.

In the interests of continuous product development we reserve the right to alter specification as necessary

PRODUCT CODE: PM 1HBSM C

PRODUCT IDENTIFICATION CODE LASER ETCHED ON PRODUCT

Installer please fill in code here _____.(Where applicable)

TELEPHONE HELPLINE: 0844 701 6273

Bristan Group Limited
Birch Coppice Business Park
Dordon
Tamworth
Staffordshire
B78 1SG
UK
A Masco Company
Website: www.bristan.com
Telephone: 0844 701 6274
Facsimile: 0844 701 6275
Email: enquire@bristan.com

BRISTAN

Prism One Hole Bath Shower Mixer

Fitting Instructions & Contents List

Before starting any installation project please consider:

Prior to drilling into walls, check there are no hidden electrical wires, cables or water supply pipes with the aid of an electronic detector. If you use power tools do not forget:

- Wear eye protection
- Unplug equipment after use



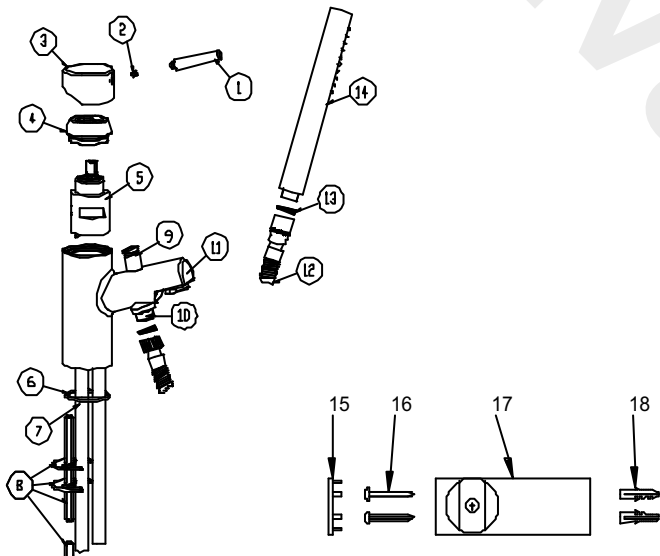
Please keep these instructions for future reference and request of replacement part

WATER PRESSURE

This mixer is suitable for use at all supply pressures. However for optimum use both the hot and cold supplies should be reasonably balanced. If the fitting is installed at low pressure (tank fed), then the minimum distance from the outlet of the nozzle to the underside of the cold tank should be 5 metres to ensure adequate performance. This equates to a minimum operating pressure of 0.5 bar. The distance from the highest installed position of the handset to the underside of the cold tank should be 2 metres to ensure adequate shower performance.

Operating Pressures: Min 0.5 bar, Max 7.0 bar.

This mixer should be installed in compliance with Water Regulations. Where the supplies are unbalanced, i.e. hot water from the cylinder tank / cold from the mains, approved check valves must be fitted in the supply pipes. For further details contact your Local Water Authority.



INSTALLATION

1. Identify all components and check for completeness, particularly before arranging fitting.
2. Fit the mixer body to the bath using the 'C' plate fixing kit (8). The full rubber washer (6) goes between the fitting and the bath, and the 'C' shaped rubber and metal washers on the underside of the bath, to be secured by the nut and threaded rod.
3. Fit the tail pipes (7) by **HAND ONLY (DO NOT OVERTIGHTEN)** and connect the hot and cold supplies.
4. Attach hose (12) to body using one of the small rubber washers (13), attach the handset (14) to the other end using the second small rubber washer (13).
5. Fully open the mixer in the mid position, letting it run for a few minutes. Operate the diverter (9) to check the handset and hose function. Check all joints and connections for leaks.



Prior to drilling into walls, check there are no hidden electrical wires, cables or water supply pipes with the aid of an electronic detector. If you use power tools do not forget to:

- Wear eye protection
 - Unplug equipment after use
6. Measure and mark out the centers of the wall bracket (17). Prior to drilling ensure that the handset/hose will reach it.
 7. Drill the wall to suit wall plugs (18) supplied.
 8. Fix the wall bracket to the wall using the screws (16) and rawl plugs (18) provided. Finish with cap (15).

MAINTENANCE

If the fitting begins to drip:

1. Isolate water supplies.
2. Unscrew the lever (1) and loosen the grub screw (2) inside the threaded hole and remove handle (3).
3. Unscrew the shroud / retaining nut using a 33 A/F box spanner (outside edge of the spanner) and lift out the cartridge and seal.
4. Clean or replace cartridge, clean and grease seal and refit. **Note:** that there are locating pins on the bottom of the cartridge that fit in holes inside the tap, to ensure it is fitted the right way round.
5. Refit the handle (3) and tighten grub screw (2). Replace lever (1).
6. If problem persists contact our helpline quoting the product code.